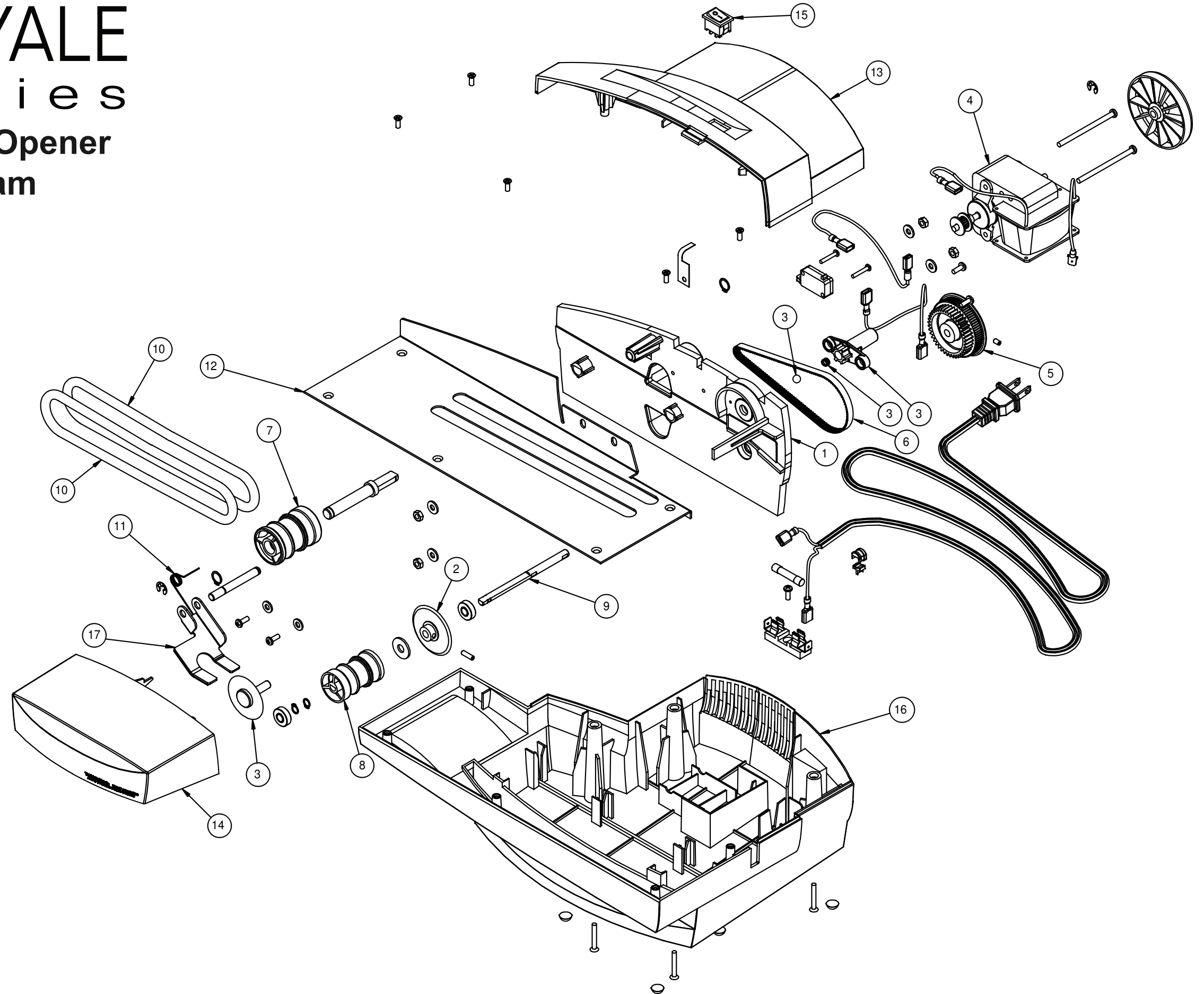




1632 Automatic Letter Opener Parts List & Diagram



NO.	PART #	PART NUMBER	QTY.
1	MRO163204	Motor Chassis	1
2	MRA163222	Lower Blade Assy	1
3	WRA163313	Upper Blade Assy	1
		Ball bearing	
		Upper blade spring	
		Blade Shaft Pocket	
4	MRS021051	1632 Motor 115VAC	1
5	MRO163225	Combo Gear	1
6	MRS025044	Drive Belt 300-2m	1
7	MRO163202	Eccentric Pulley, Conveyor	1
8	MRO163203	Drive Pulley, Conveyor	1
9	MRA163215	Conveyor Drive Shaft	1
10	MRO163214	O-ring Belt	2
11	MRO163220	Hold Back Spring	1
12	MRA163210	Deck Panel	1
13	MRO163207	Upper Housing	1
14	MRO163205	Cutter Guard	1
15	MRS033066	I/O Rocker Switch	1
16	MRO163206	Lower Housing	1
17	MRA163227	Retarder Brkt (Includes Ret. Strips)	1